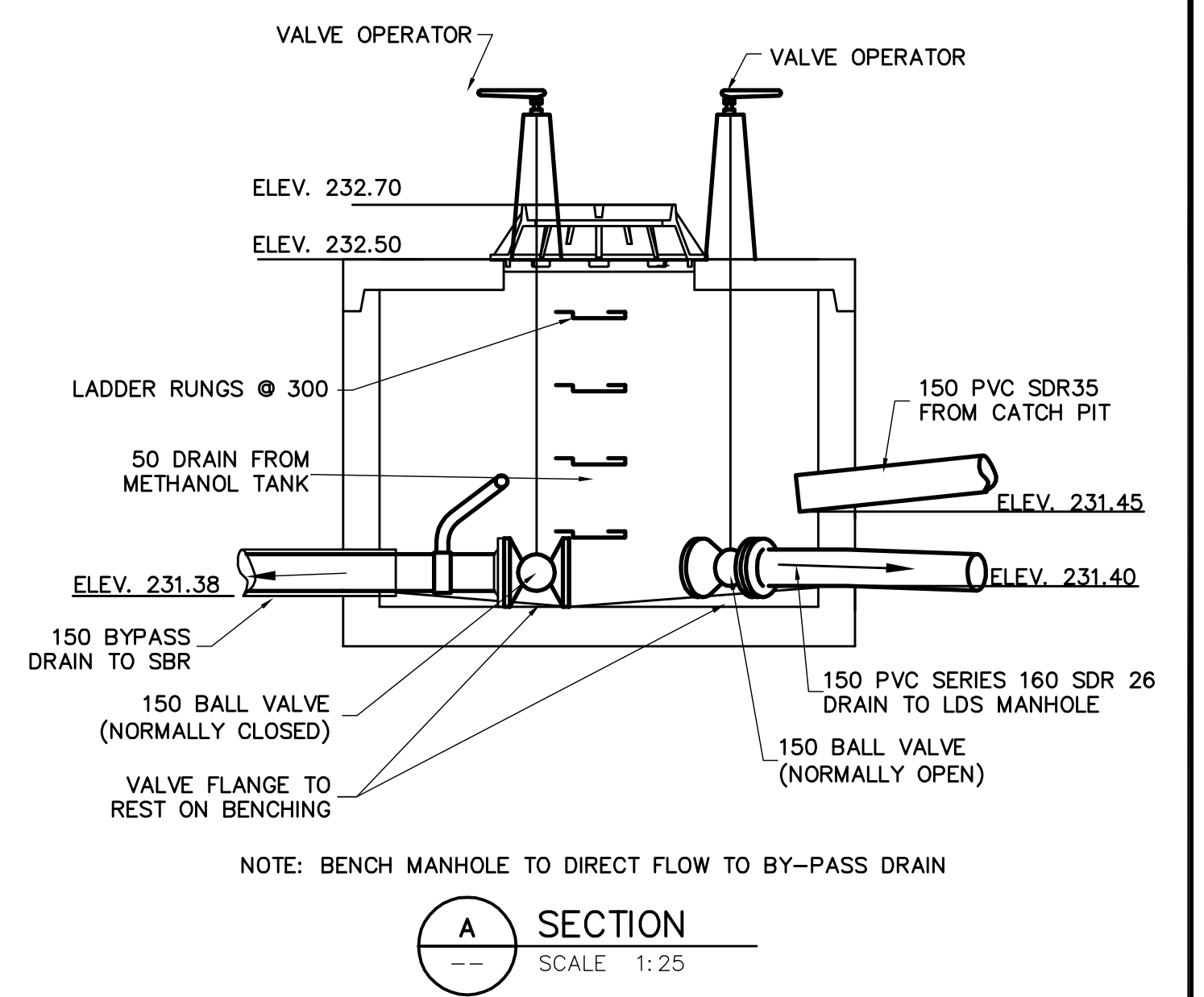
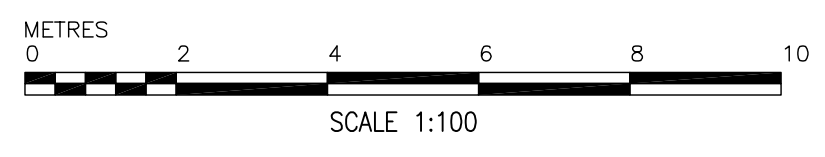
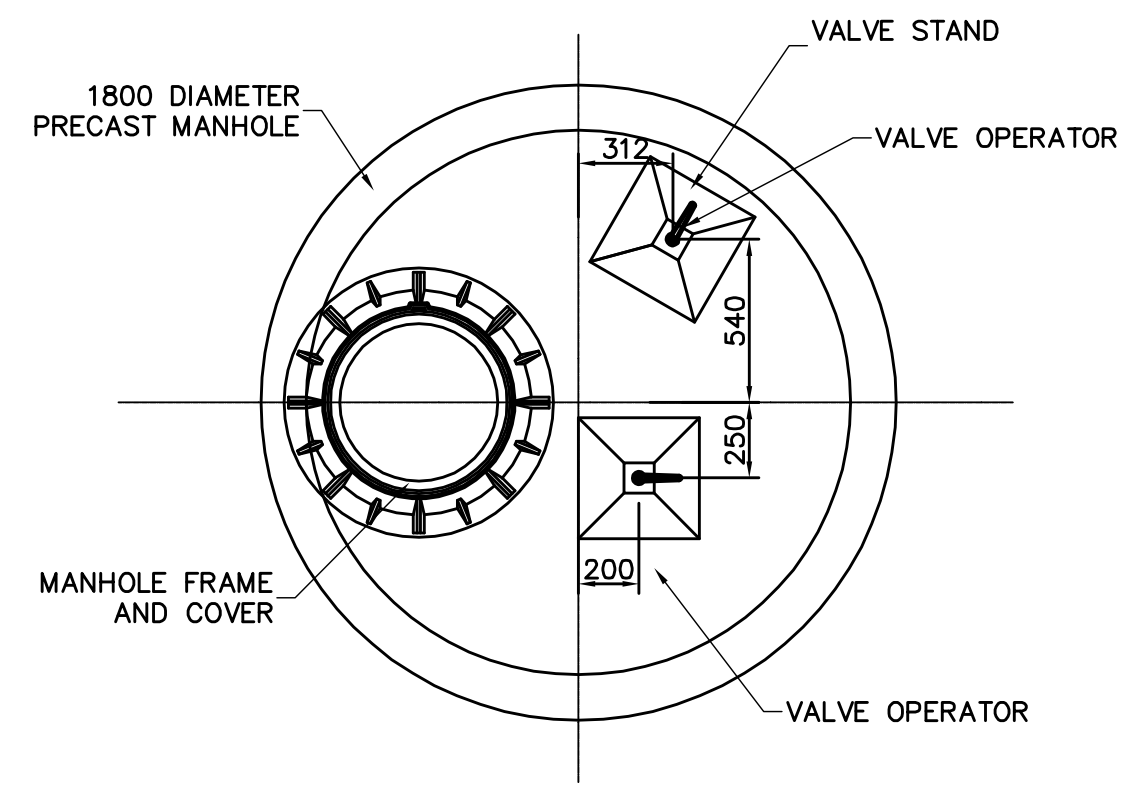


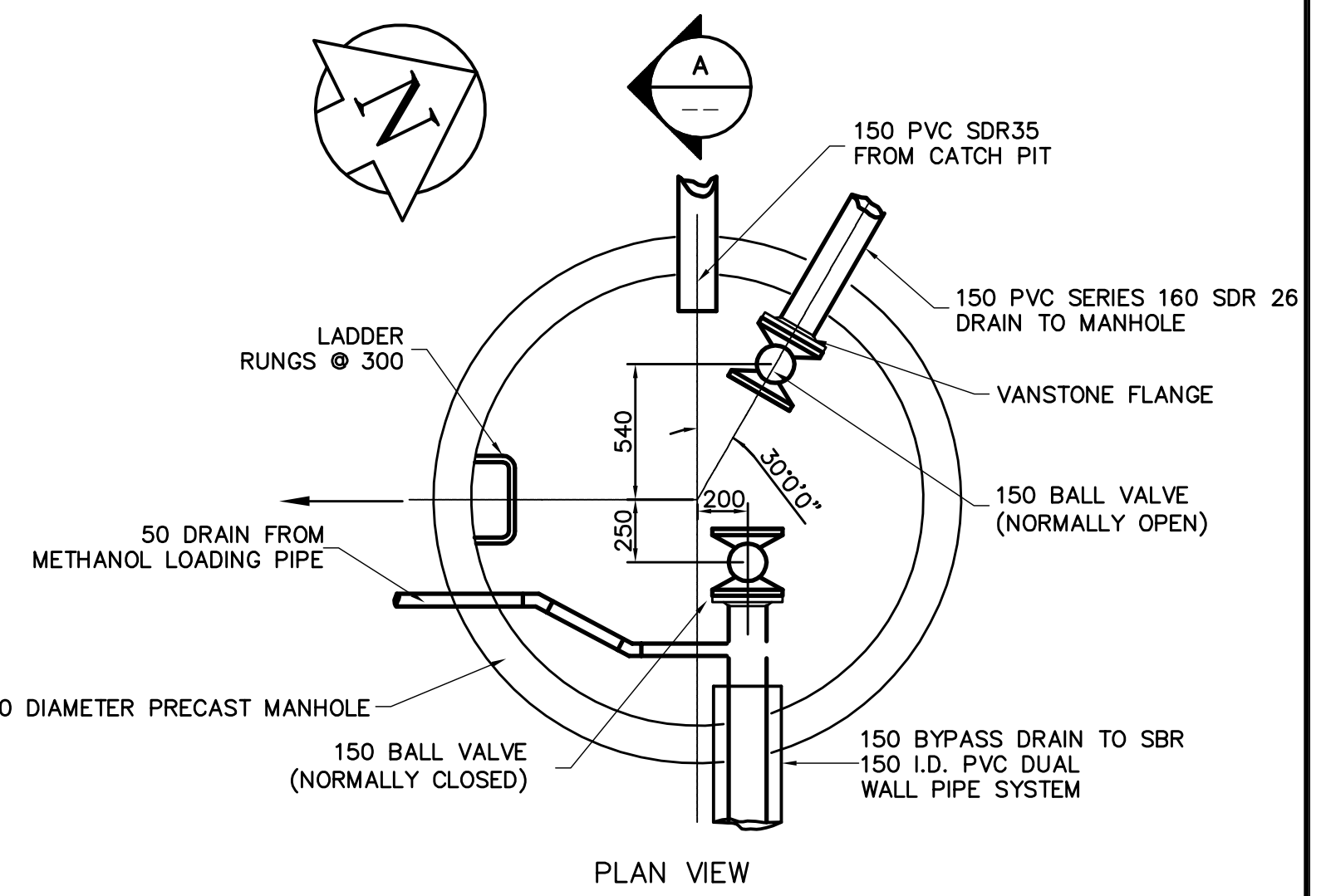
1 PLAN
SCALE 1:100



A SECTION
SCALE 1:25



ROOF PLAN
SCALE 1:25



1 VALVE CHAMBER
SCALE 1:25

AECOM

As of January 3, 2009, EarthTech became AECOM Canada Ltd.

AECOM AS-CONSTRUCTED

EXISTING	LEGEND - PLAN	PROPOSED	EXISTING	LEGEND - PLAN	PROPOSED	EXISTING	LEGEND - PLAN	PROPOSED
150 mm WM	WATERMAIN	150 mm WM	HYDRO M.T.S.	CONCRETE	ASPHALT	PROPERTY LINE	TEST HOLES	ELEVATION (32.750)
300mm LDS	LAND DRAINAGE SEWER	300mm LDS	CONCRETE SIDEWALK	FENCE				
250mm WWS	WASTEWATER SEWER	250mm WWS						
○	MANHOLE	●						
□	CATCH BASIN	■						
▽	CURB INLET	▽						
+	JUNCTIONS	+						
—	CULVERT	—						
—	GAS	—						

AECOM
Certificate of Authorization
AECOM Canada Ltd.
Original dated on: No. 4671 Date: 2006/05/15

NO.	REVISIONS	DATE	BY
03	AS-CONSTRUCTED DRAWING	09/04/06	DEP
02	291-2006 CCN 11	07/09/18	LAE
01	ISSUED FOR CONSTRUCTION	06/08/30	GLG
00	ISSUED FOR TENDER	06/05/15	FC

EarthTech
A Tyco International Ltd. Company

DESIGNED BY: GSK	CHECKED BY: KWF
DRAWN BY: FC	APPROVED BY: JEH
SCALE: 1:100	RELEASED FOR CONSTRUCTION BY: K. MARTENS
DATE: 2006/01/16	DATE: 2006/05/15

ENGINEER'S SEAL
ORIGINAL SIGNED BY: K.W. FITCHETT
2006/05/15
CONSULTANT DRAWING NO. C2.02

THE CITY OF WINNIPEG
WATER AND WASTE DEPARTMENT
ENGINEERING DIVISION

NEWPCC CENTRATE NUTRIENT TREATMENT NITROGEN REMOVAL FACILITY

CIVIL
PART PLAN AND DETAILS
CHEMICAL UNLOADING AREAS

CITY FILE NUMBER
SHEET OF
CITY DRAWING NUMBER
1-0101C-C0004-001-03